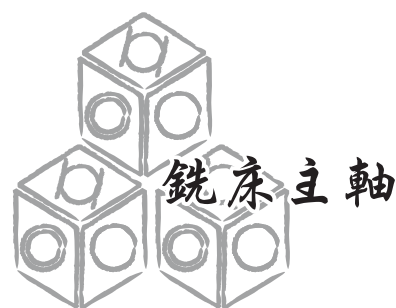


KENTURN

since 1983



目錄

皮帶式	MV0910	P3	
	MV0910D/CTS	P4	
	KL1212	P5	
	KCA1410	P6	
	KC1508	P7	
	MC1806	P8	
	MC1806S	P9	
	MC1805	P10	
	直結式	KDS0915	P11
		KDS0915B	P12
KDS1212		P13	
KDS1312		P14	
KDS1810		P15	
KDS1808A		P16	
KDS2004		P17	
KDS2006		P18	

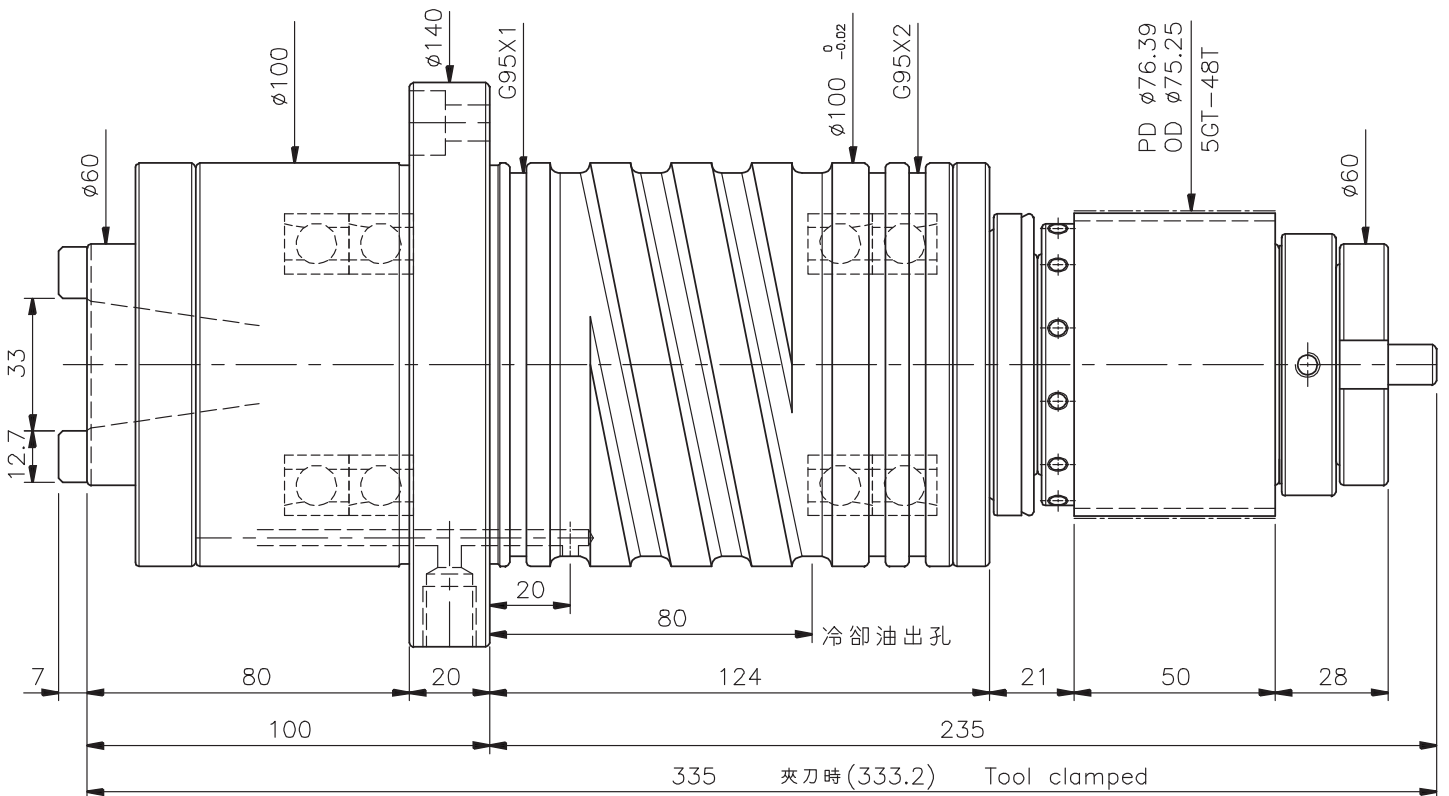
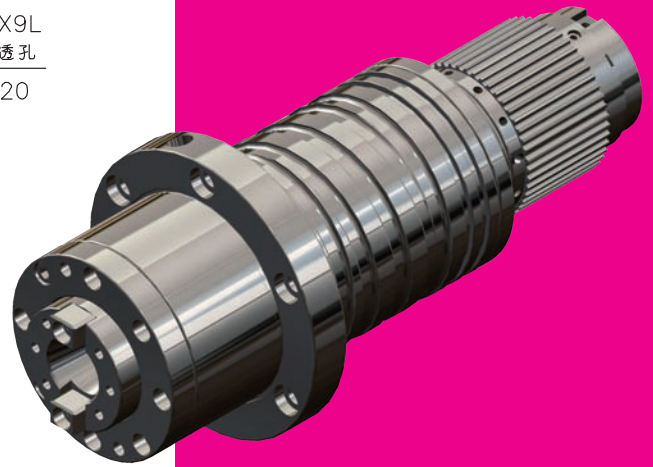
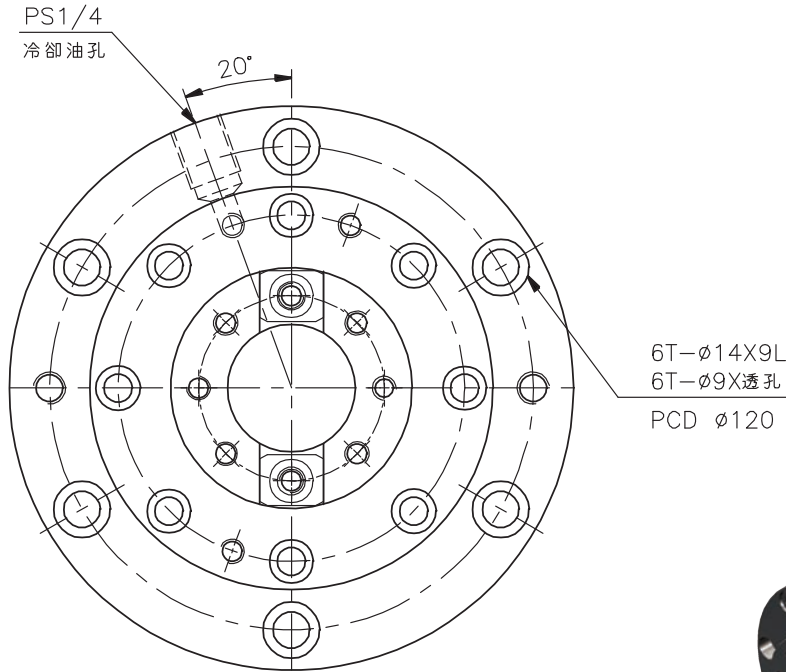


**CNC Machining Center
SPINDLES**

Belt Drive

MV0910

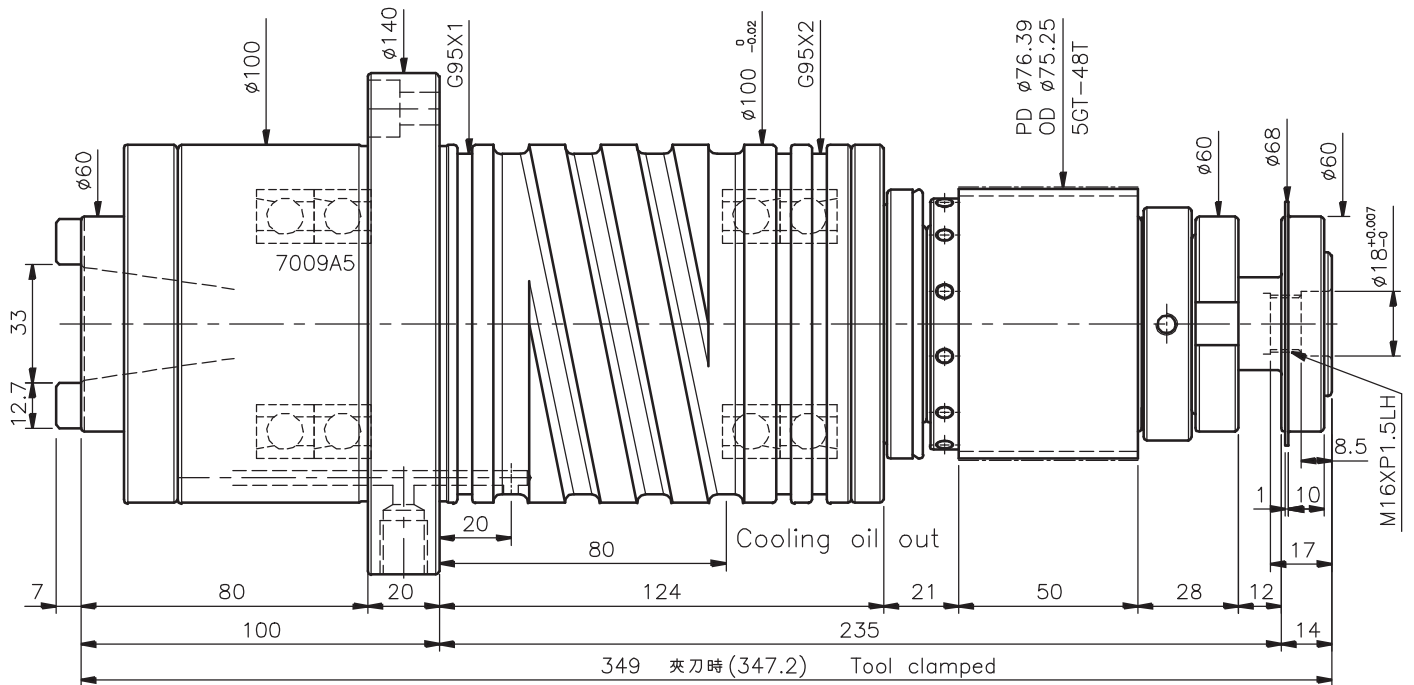
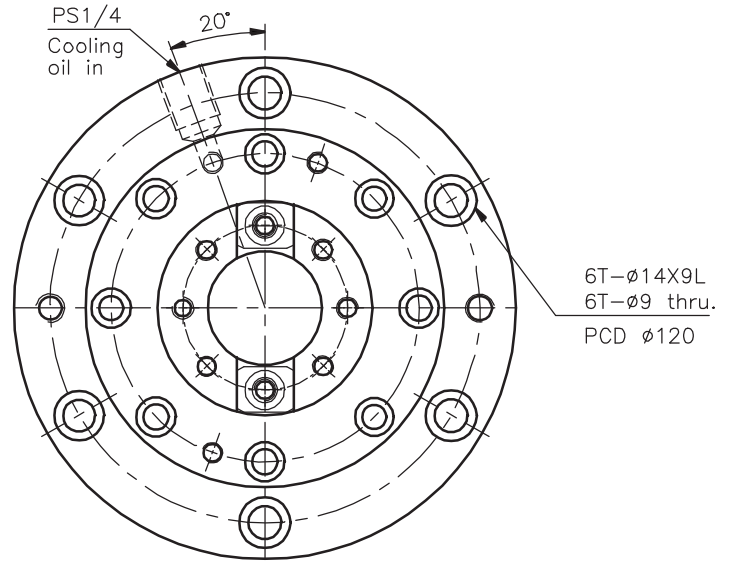
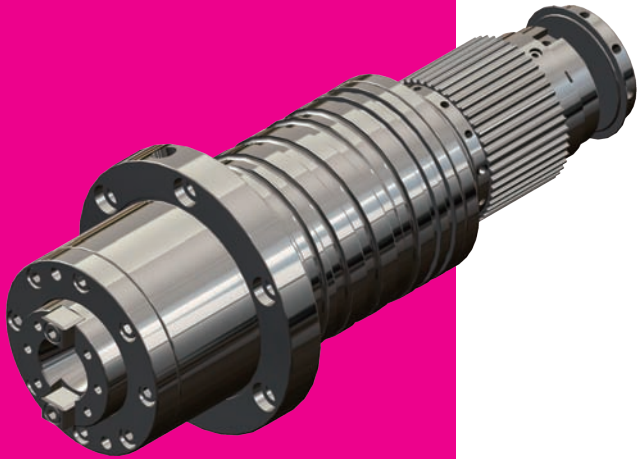
Shank	BT30
Body Outer Dia	Ø100
Max. Speed	12000rpm
Bearing Size	Ø45
Lubrication	Grease
Cooling	Oil
Clamping Pull-Force	2.5KN
Belt Spec.	5GT-48T



MV0910D CTS

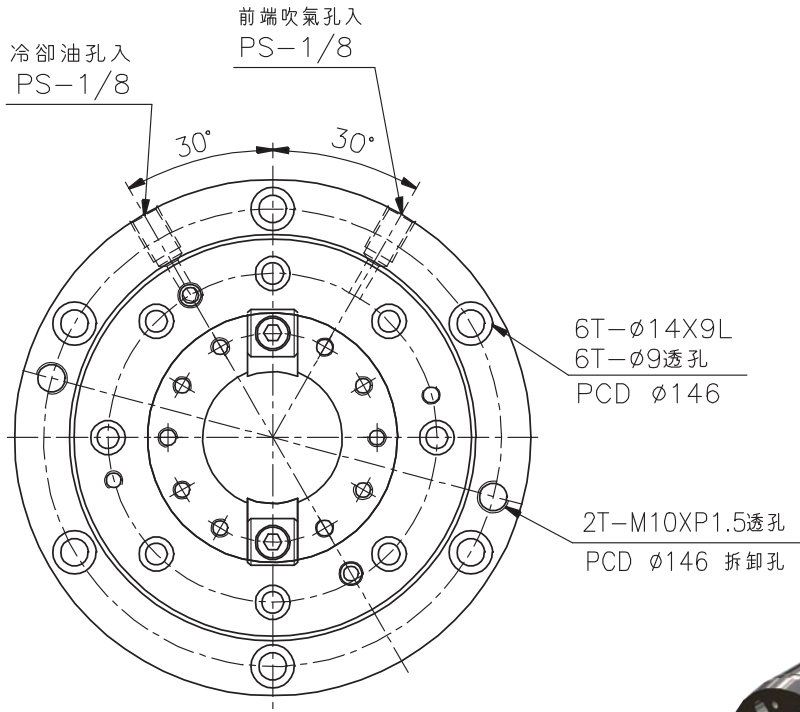
Belt Drive

Shank	BT30
Body Outer Dia	Ø100
Max. Speed	12000rpm
Bearing Size	Ø45
Lubrication	Grease
Cooling	Oil
Clamping Pull-Force	3KN
Belt Spec.	5GT-48T

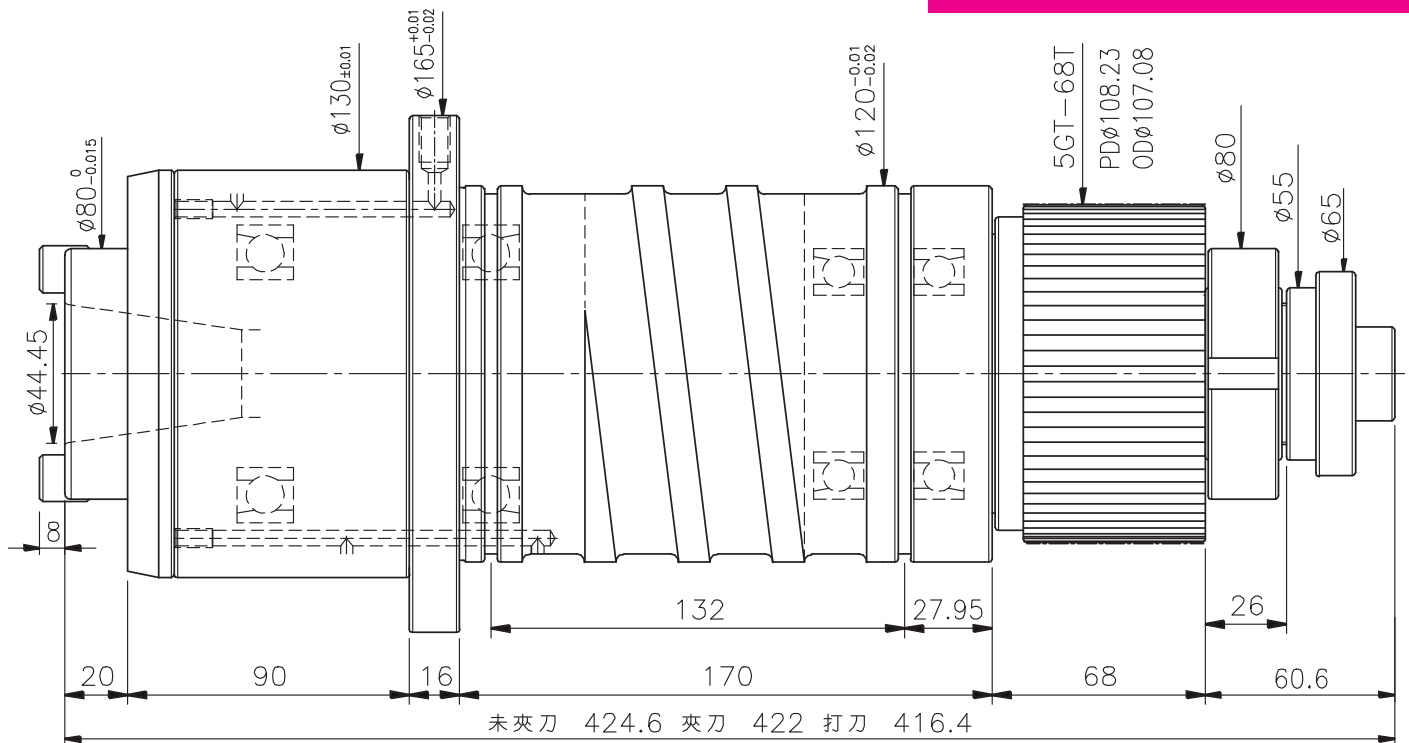
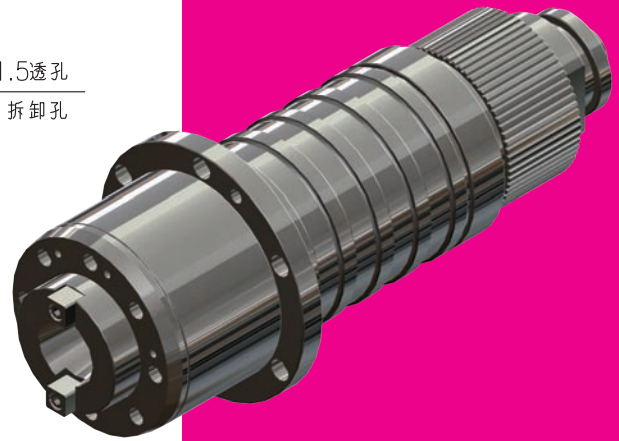


Belt Drive

KL1212



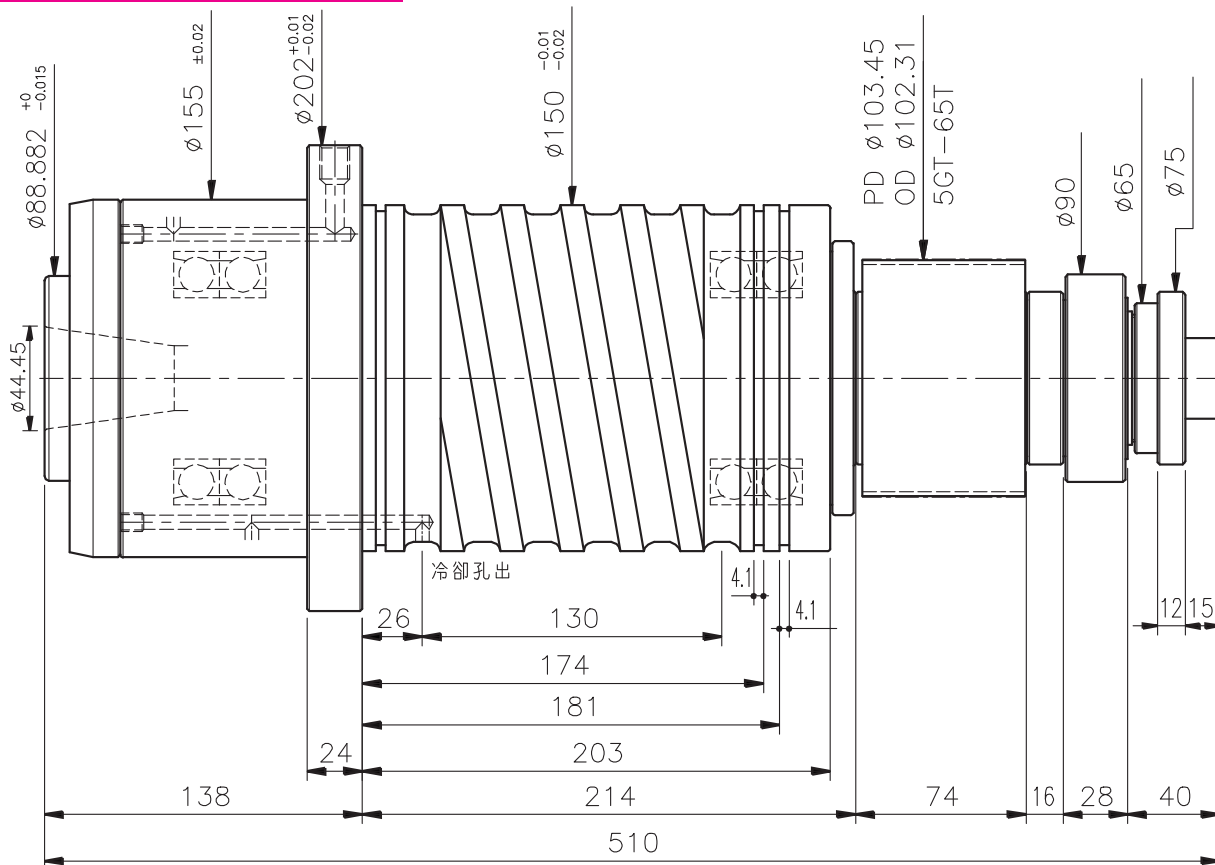
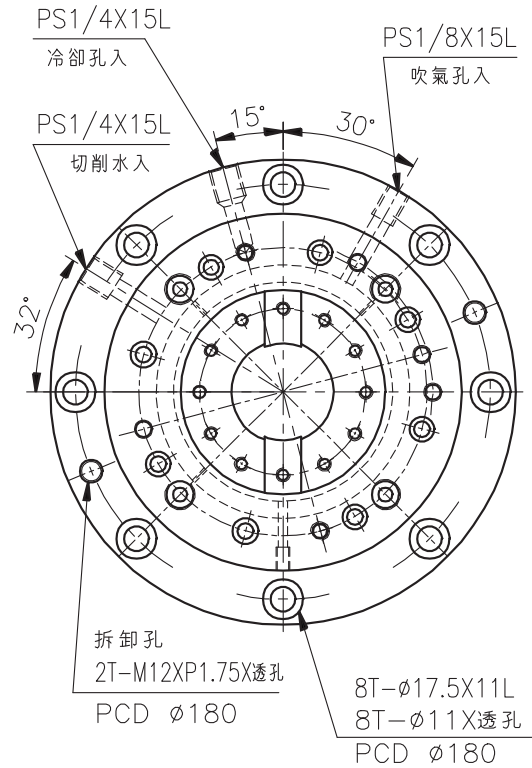
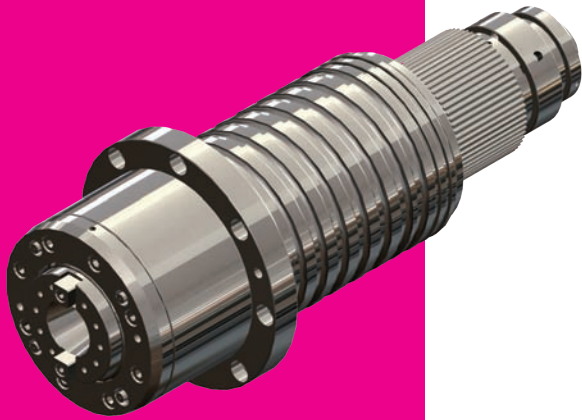
Shank	BT40
Body Outer Dia	$\phi 120$
Max. Speed	15000rpm
Bearing Size	$\phi 60$
Lubrication	Grease
Cooling	Oil
Clamping Pull-Force	8KN
Belt Spec.	5GT-68T



KCA1410

Belt Drive

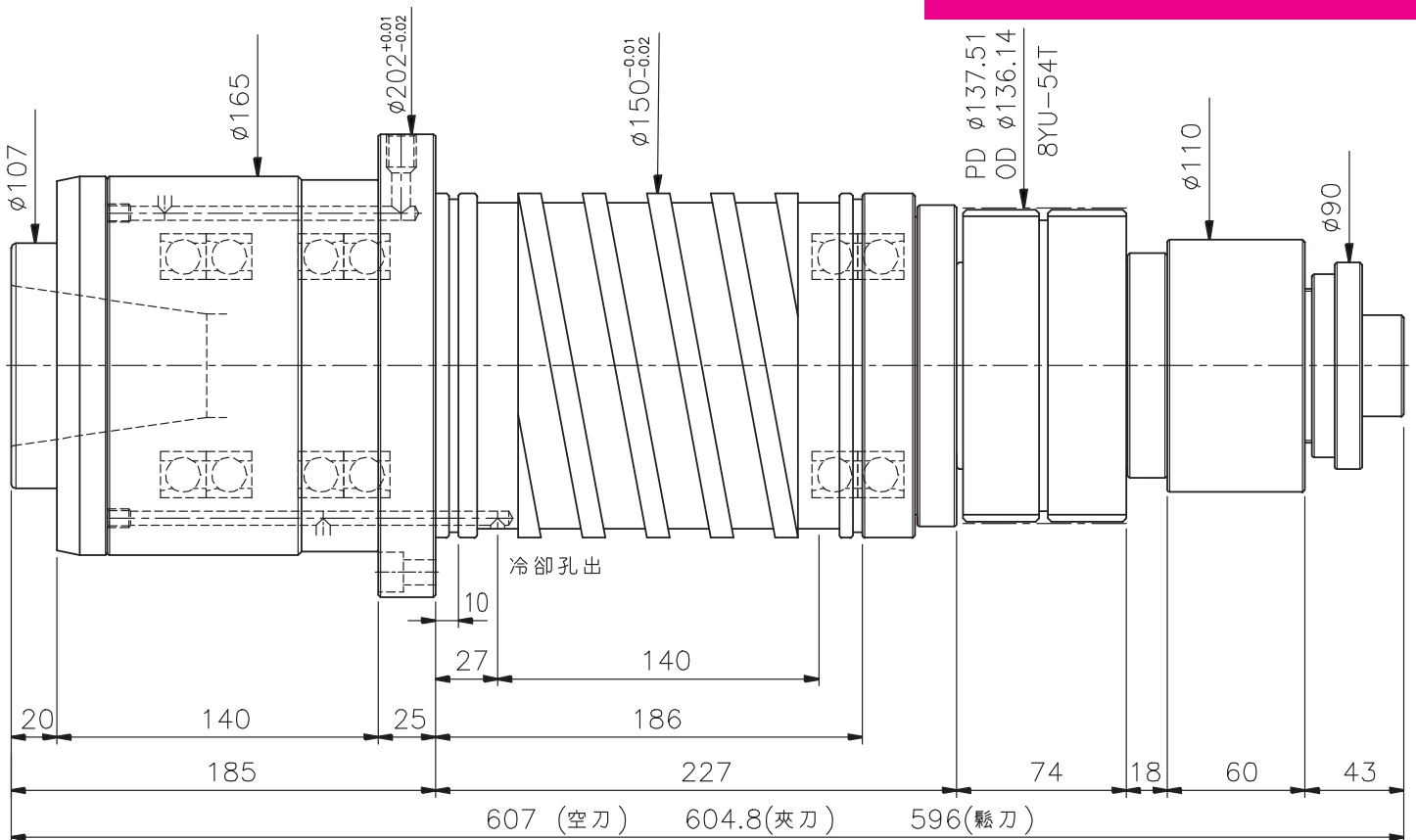
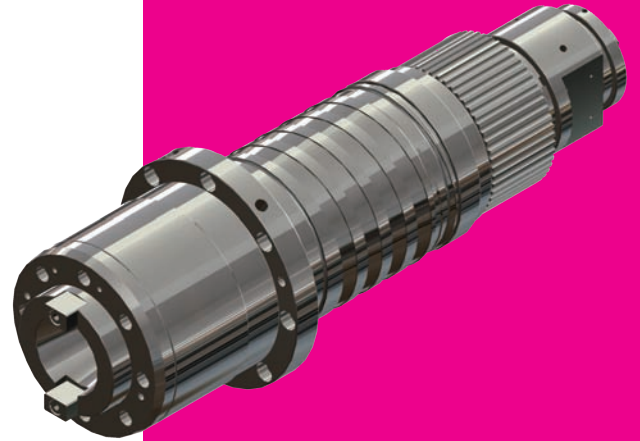
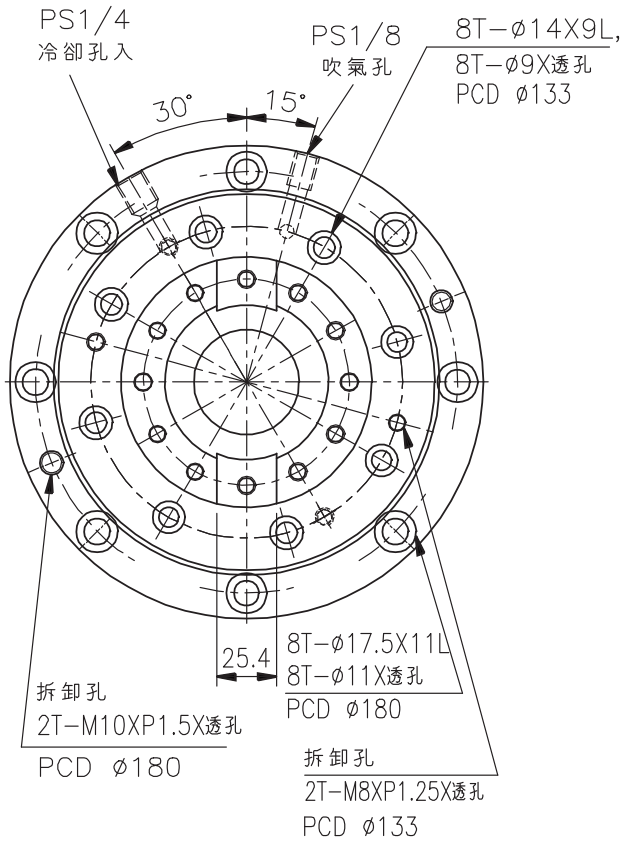
Shank	BT40
Body Outer Dia	Ø150
Max. Speed	12000rpm
Bearing Size	Ø70
Lubrication	Grease
Cooling	Oil
Clamping Pull-Force	10KN
Belt Spec.	5GT-65T



Belt Drive

KC1508

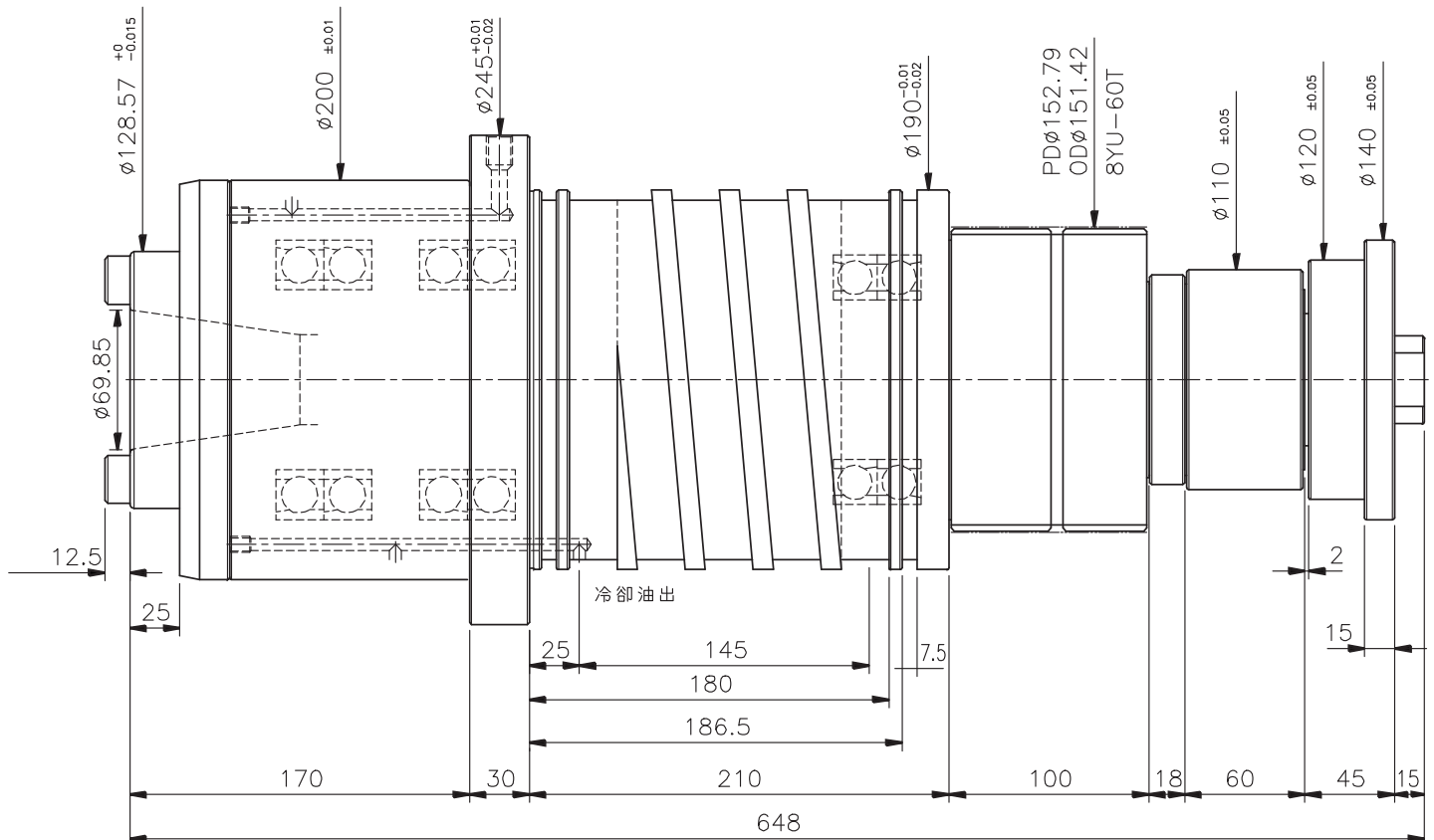
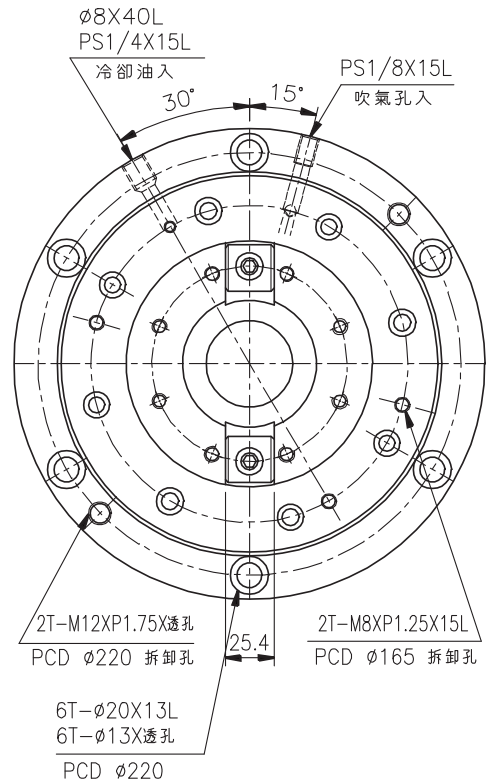
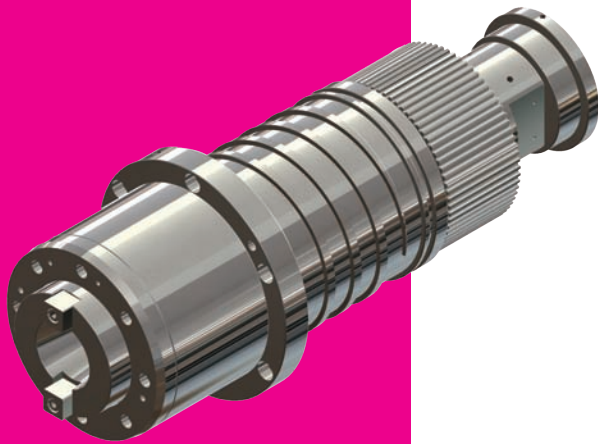
Shank	BT50
Body Outer Dia	Ø150
Max. Speed	8000rpm
Bearing Size	Ø75
Lubrication	Grease
Cooling	Oil
Clamping Pull-Force	18KN
Belt Spec.	8YU-54T



MC1806

Belt Drive

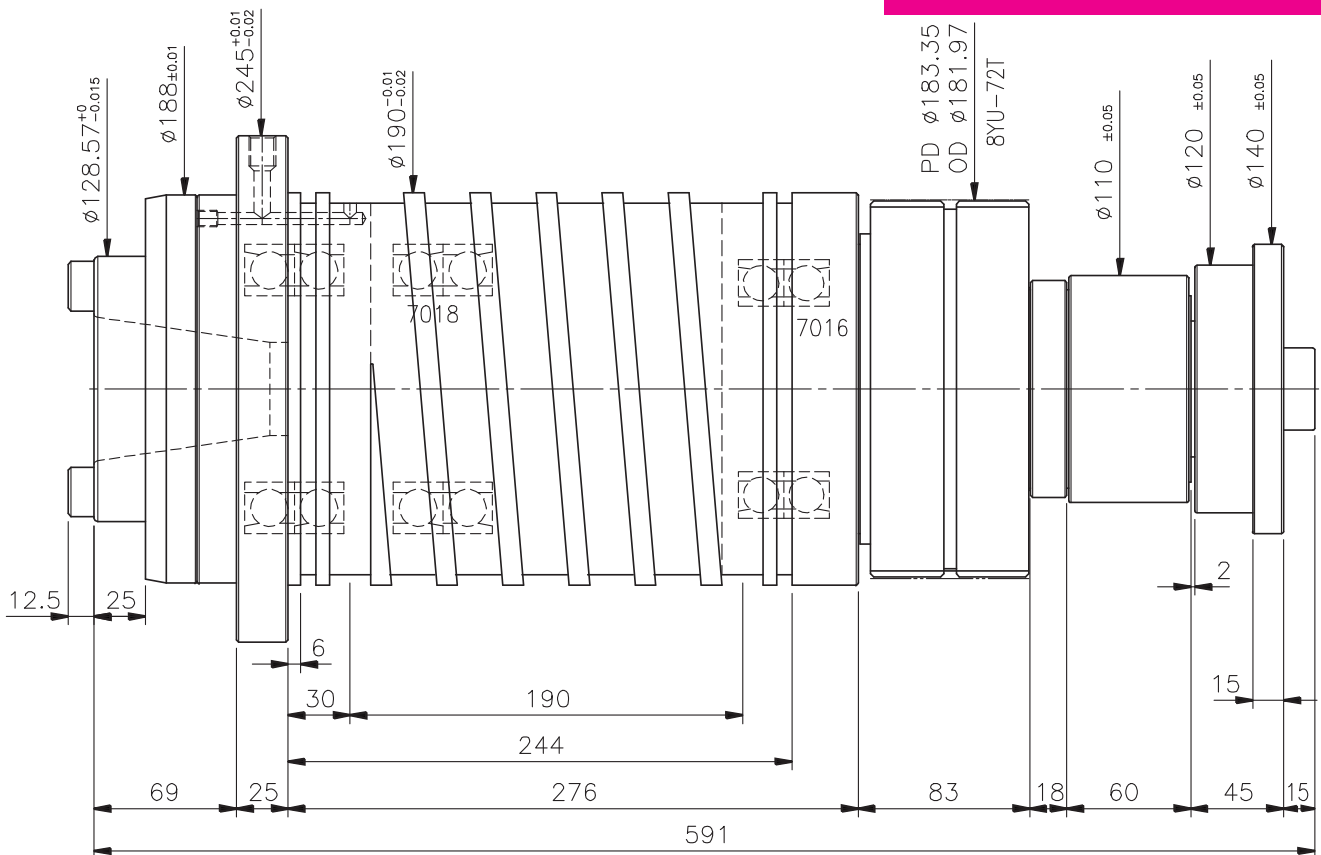
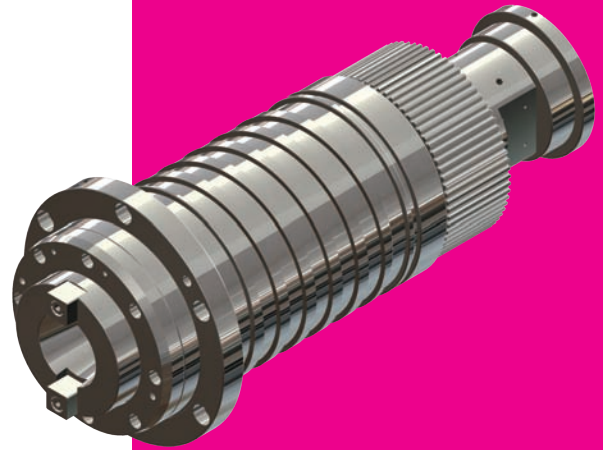
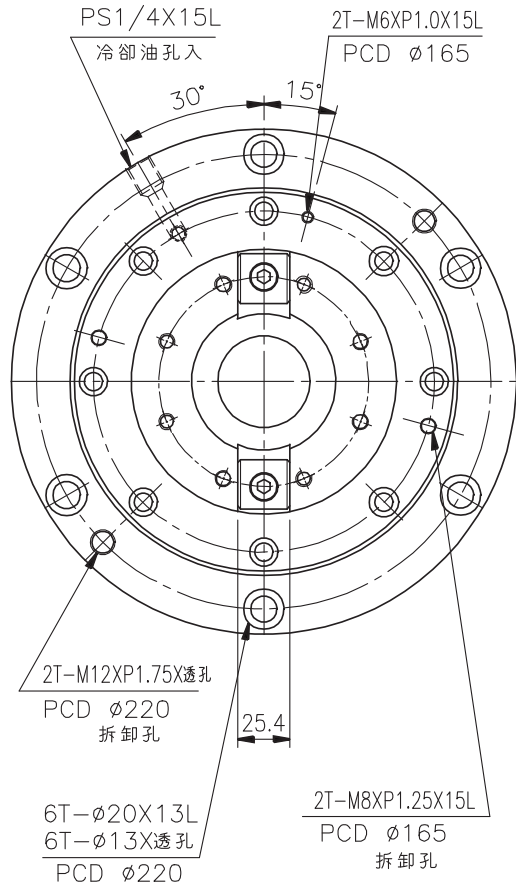
Shank	BT50
Body Outer Dia	Ø190
Max. Speed	8000rpm
Bearing Size	Ø90
Lubrication	Grease
Cooling	Oil
Clamping Pull-Force	18KN
Belt Spec.	8YU-72T



Belt Drive

MC1806S

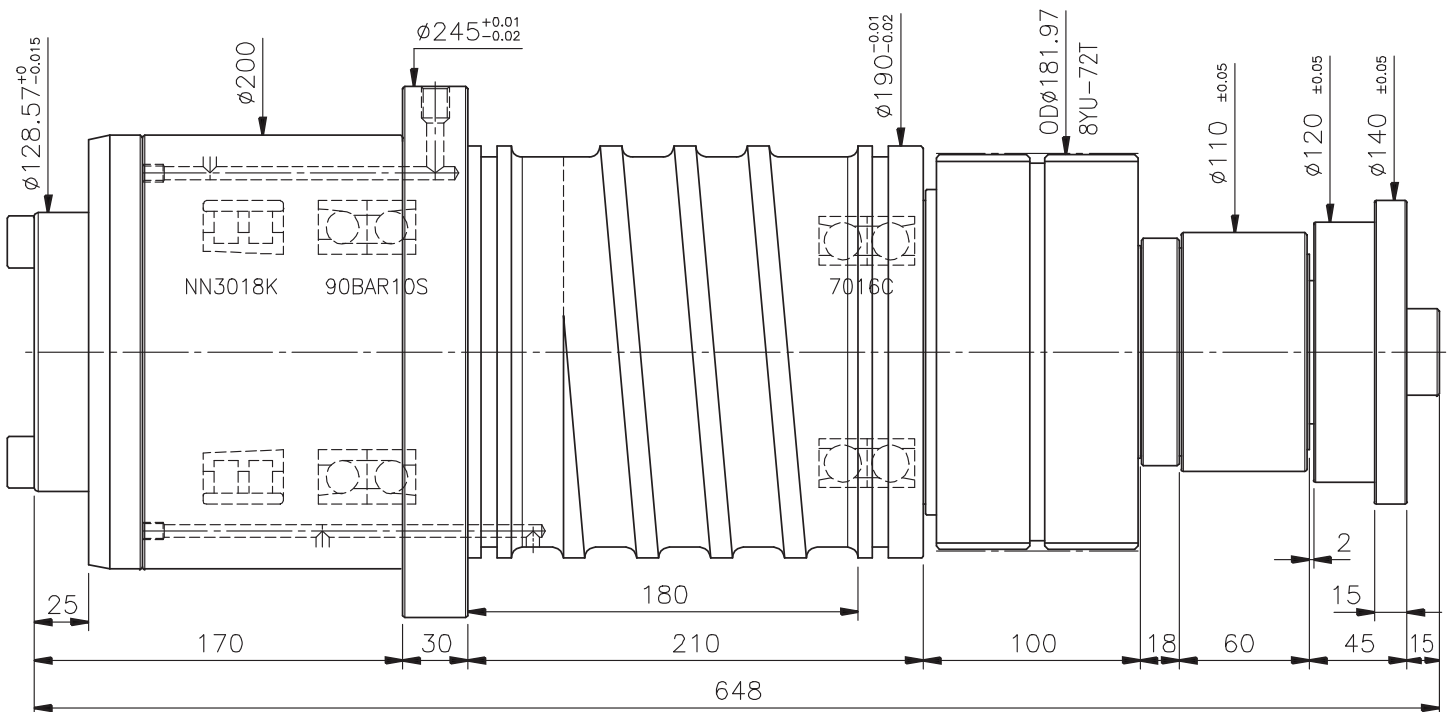
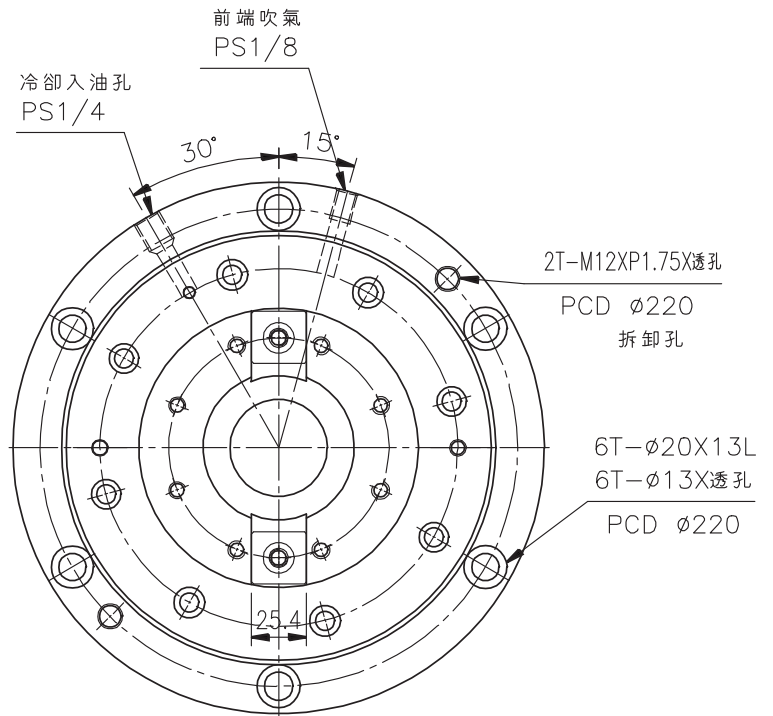
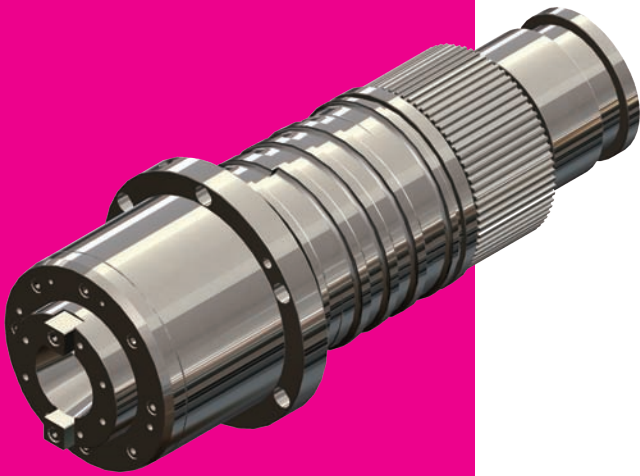
Shank	BT50
Body Outer Dia	Ø190
Max. Speed	8000rpm
Bearing Size	Ø90
Lubrication	Grease
Cooling	Oil
Clamping Pull-Force	18KN
Belt Spec.	8YU-72T



MC1805

Belt Drive

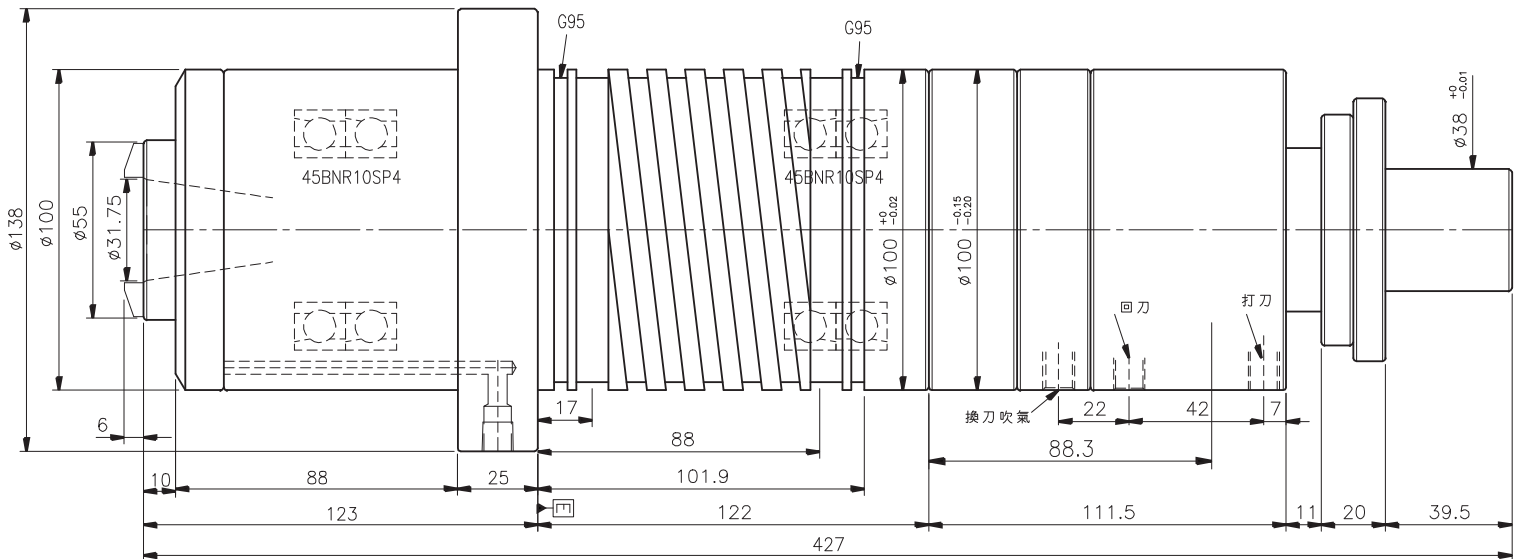
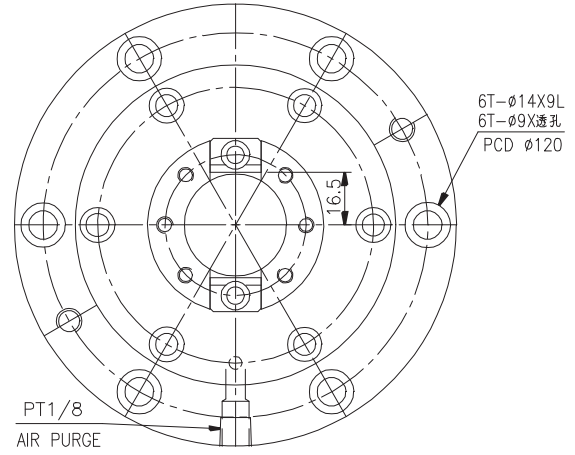
Shank	BT50
Body Outer Dia	Ø190
Max. Speed	4500rpm
Bearing Size	Ø90
Lubrication	Grease
Cooling	Oil
Clamping Pull-Force	18KN
Belt Spec.	8YU-72T



KDS0915B

Direct Drive

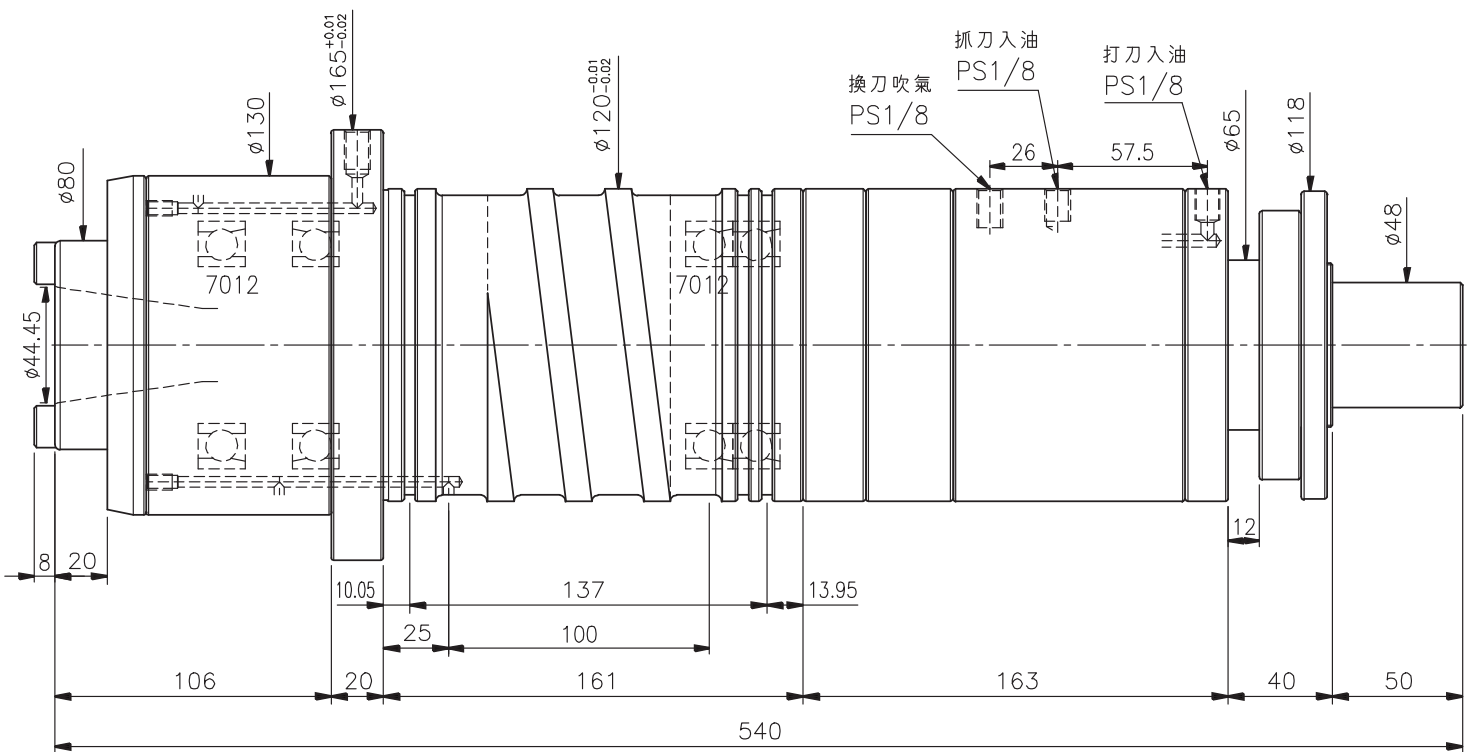
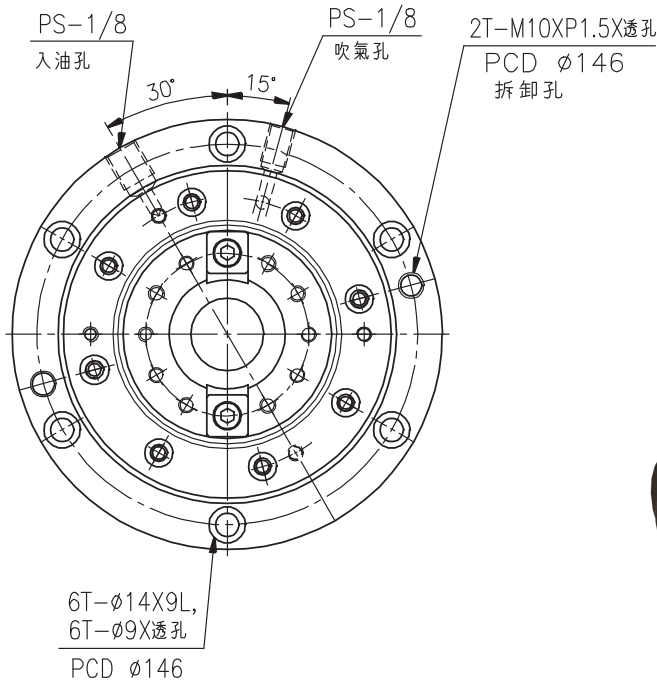
Shank	BT30
Body Outer Dia	Ø100
Max. Speed	12000rpm
Bearing Size	Ø45
Lubrication	Grease
Cooling	Oil
Clamping Pull-Force	3KN



Direct Drive

KDS1212

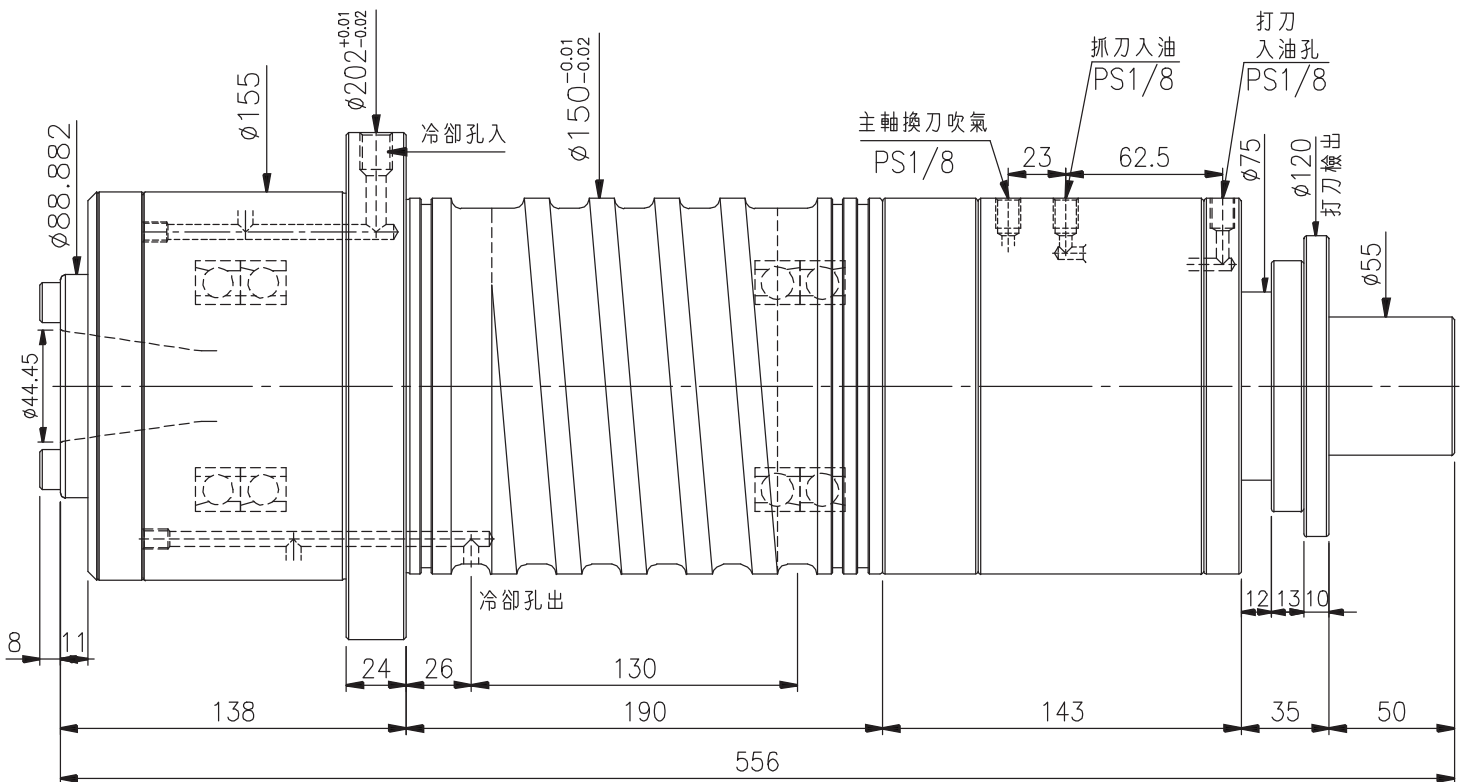
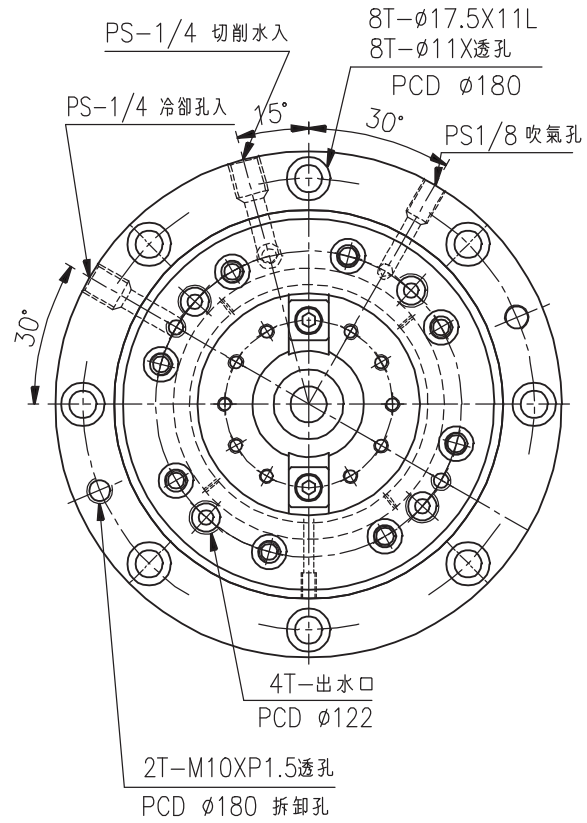
Shank	BT40
Body Outer Dia	Ø120
Max. Speed	15000rpm
Bearing Size	Ø60
Lubrication	Grease
Cooling	Oil
Clamping Pull-Force	8KN



KDS1312

Direct Drive

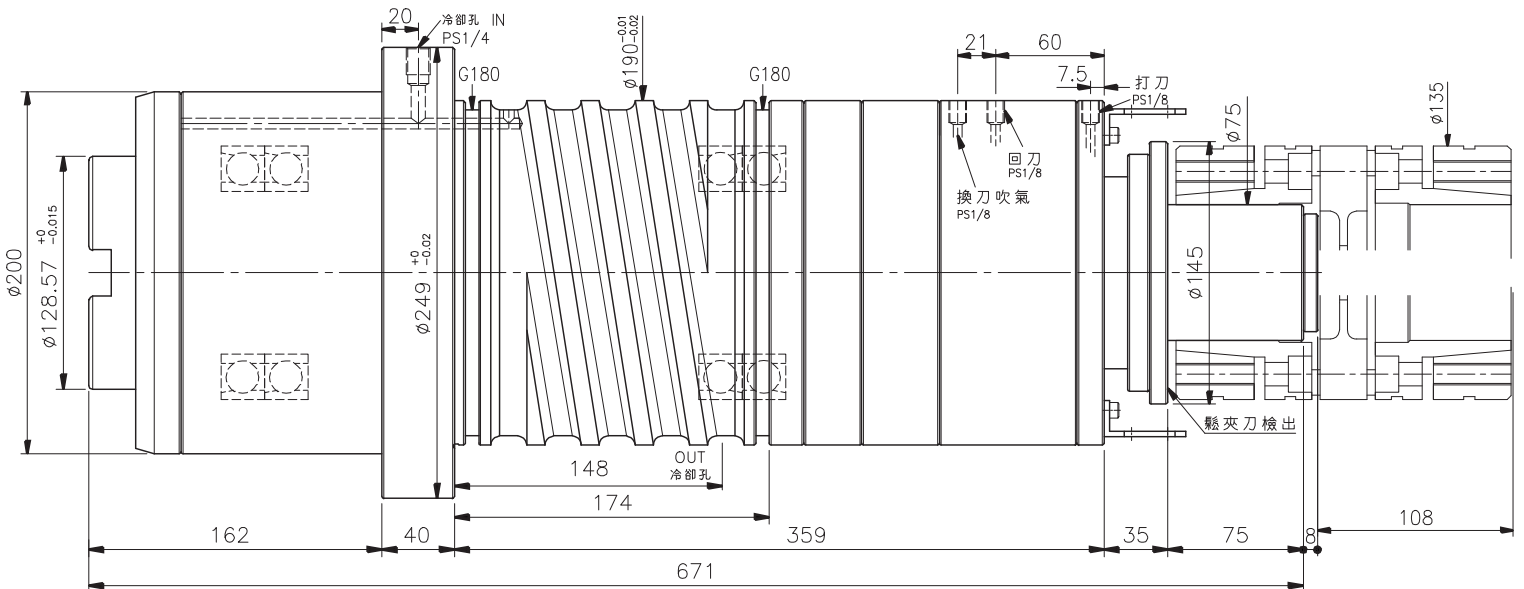
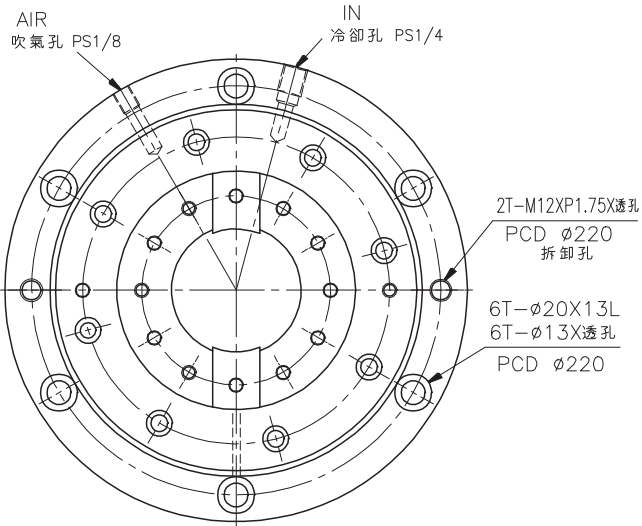
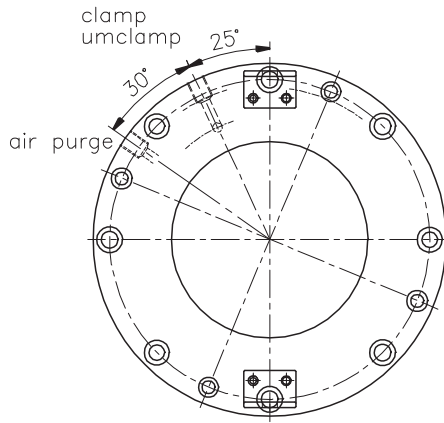
Shank	BT40
Body Outer Dia	Ø150
Max. Speed	15000rpm
Bearing Size	Ø65
Lubrication	Grease
Cooling	Oil
Clamping Pull-Force	8.2KN



Direct Drive

KDS1810

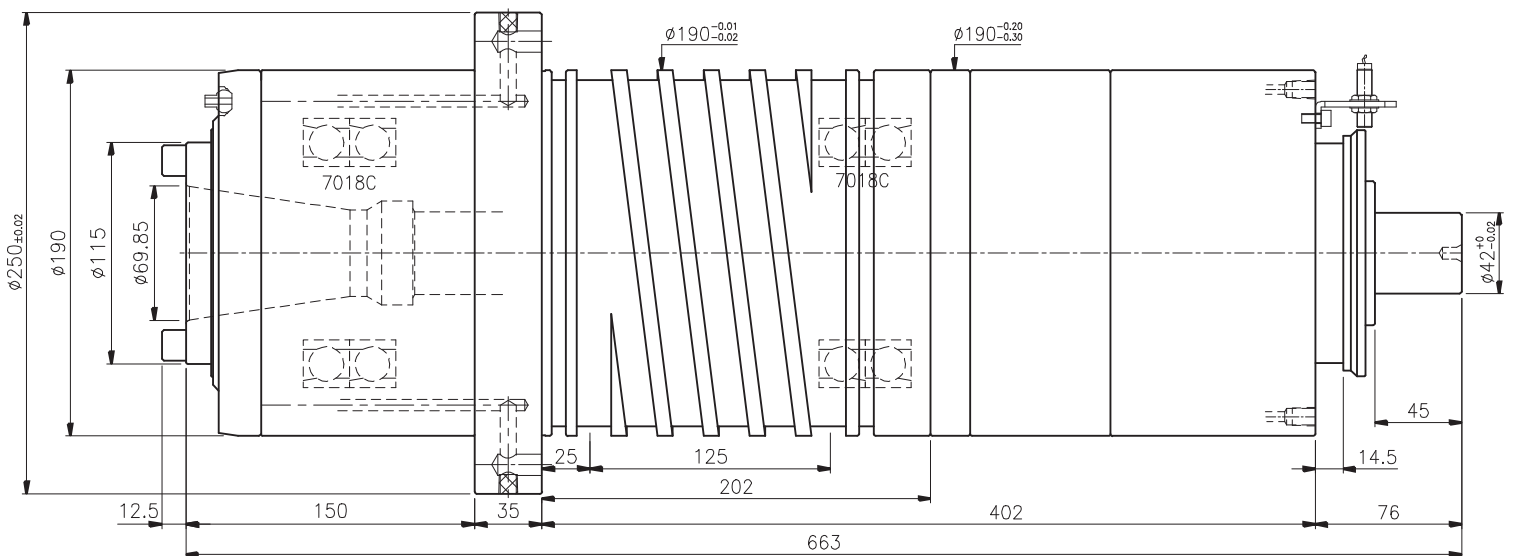
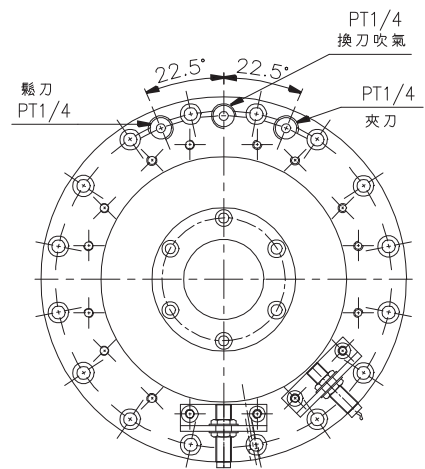
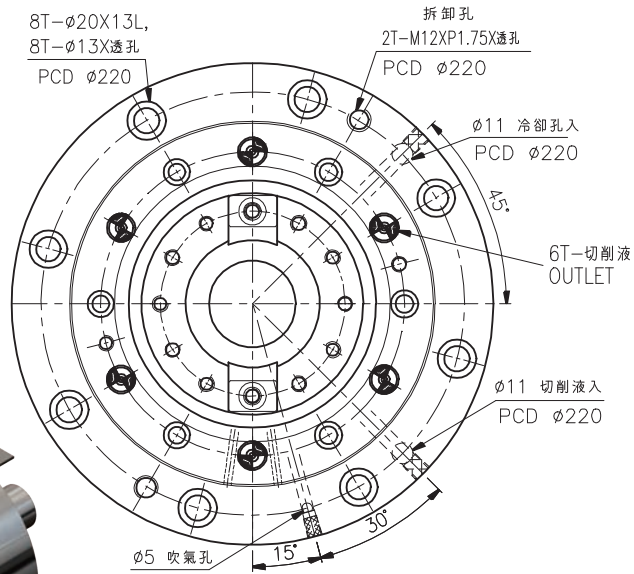
Shank	BT50
Body Outer Dia	Ø190
Max. Speed	10000rpm
Bearing Size	Ø90
Lubrication	Grease
Cooling	Oil
Clamping Pull-Force	18KN



KDS1808A

Direct Drive

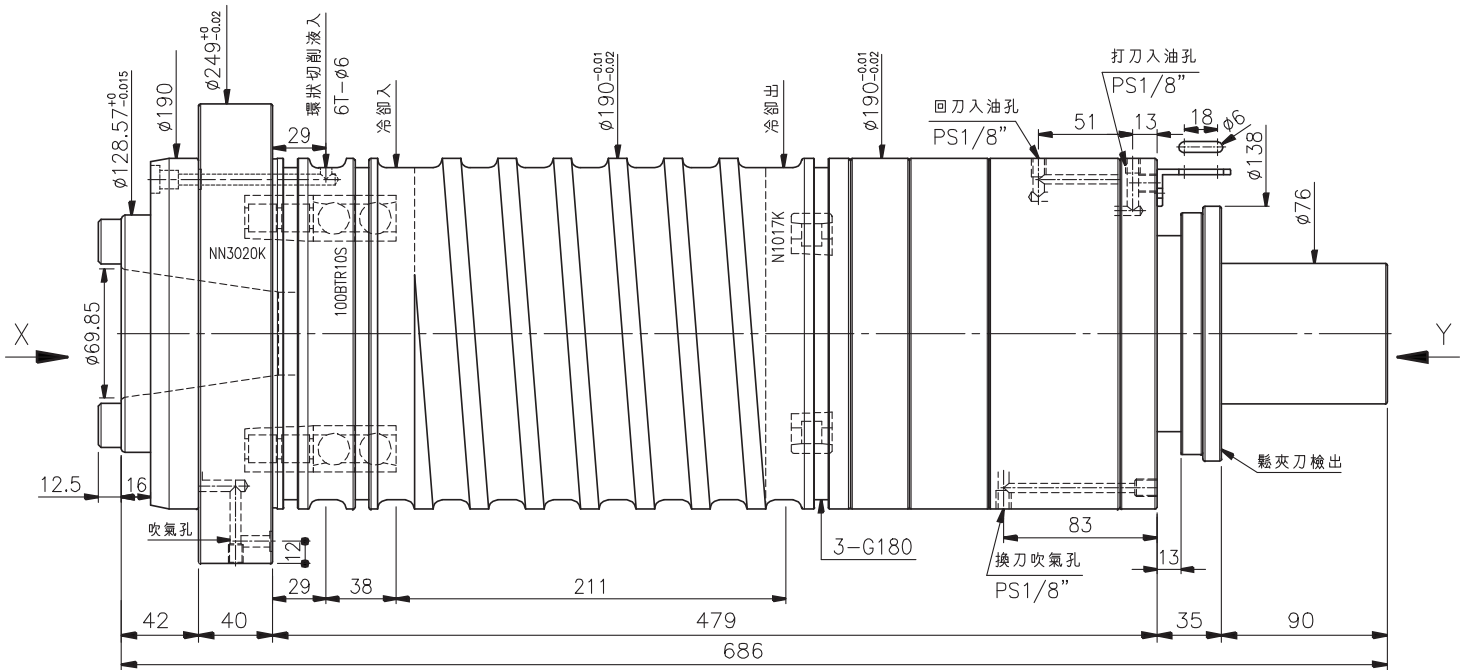
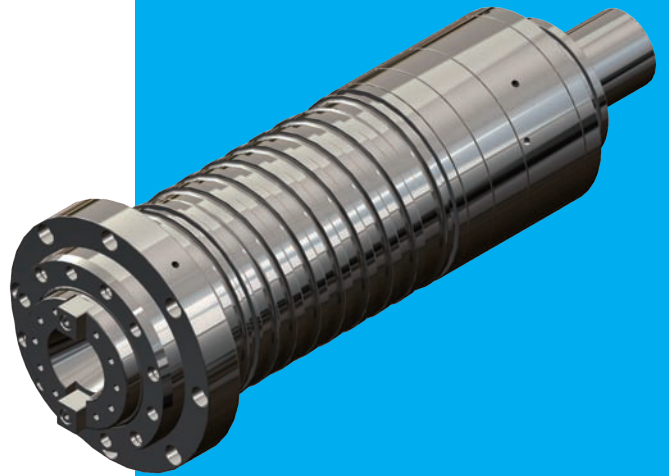
Shank	BT50
Body Outer Dia	Ø190
Max. Speed	8000rpm
Bearing Size	Ø90
Lubrication	Grease
Cooling	Oil
Clamping Pull-Force	18KN



Direct Drive

KDS2004

Shank	BT50
Body Outer Dia	Ø190
Max. Speed	4500rpm
Bearing Size	Ø100
Lubrication	Grease
Cooling	Oil
Clamping Pull-Force	20KN



KDS2006

Direct Drive

Shank	BT50
Body Outer Dia	Ø190
Max. Speed	6000rpm
Bearing Size	Ø100
Lubrication	Grease
Cooling	Oil
Clamping Pull-Force	20KN

